

# LIME/FERTILIZER SPREADERS

FIVE MODELS TO CHOOSE FROM  
65-230 CUBIC FOOT CAPACITY

## DUAL PURPOSE - LIME & FERTILIZER



### EXCLUSIVE SWAP-N-GO SPINNERS



### SWAP-N-GO SPINNERS



*Smart design and heavy duty construction provide the perfect combination of durability, reliability and spreading precision.*

## SWAP-N-GO SPINNERS

## FARMERS TALK, WE LISTEN

The family of Lanco Lime/Fertilizer Spreaders includes 2-ton, 5-ton, 8-ton, 10-ton and 12-ton sizes, each with both PTO and Tractor Hydraulic capabilities. When it's time to spread it's convenient to have a spreader that will work with any tractor that is available.

For added versatility, Lanco Lime/Fertilizer Spreaders also handle fertilizer, pelletized products and more, thanks to our exclusive Swap-N-Go Spinners, which allow you to switch attachments within minutes and get a great spread pattern that will save you time and money. State-of-the-art "electronics-over-hydraulics" controls provide outstanding spreading precision regardless of ground speed.

One look and you'll see the difference. Lanco Spreaders are what every farmer looks for. How do we know? We asked.

MADE IN LANCASTER COUNTY TO WORLD-CLASS STANDARDS

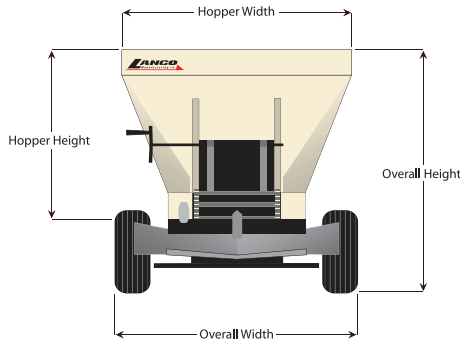
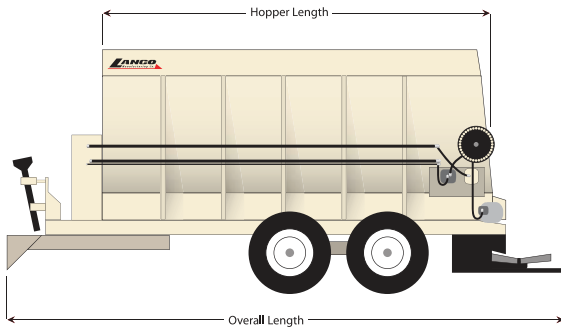
BETTER SPREADING MADE SIMPLE

717-556-4143

WWW.LANCOEQUIPMENT.COM

**LANCO**  
Manufacturing, CO.

# MORE HIGH QUALITY FEATURES COME STANDARD



Specifications	Model LS-540	Model LS-1150	Model LS-1680	Model LS-2000	Model LS-2300
Hopper Height	3' 2"	3' 11"	3' 11"	3' 11"	3' 11"
Hopper Width	5'	6' 2"	6' 2"	6' 2"	6' 2"
Hopper Length	7'	8'	11'	13'	15'
Hopper Capacity	65 cu. ft.	115 cu. ft.	168 cu. ft.	200 cu. ft.	230 cu. ft.
Overall Height	6'	6' 7"	7' 2"	7' 5"	7' 5"
Overall Width	5' 7"	6' 6"	7' 2"	7' 2"	7' 2"
Overall Length	13' 1"	14' 7"	18' 4"	20' 4"	22' 4"
Suspension	Single Axle	Walking Beam	Walking Beam	Walking Beam	Walking Beam
Wheel Track Width (Center to Center)	4' 6"	5' 7"	5' 8"	5' 8"	5' 8"
Empty Weight	2300 lb.	2920 lb.	4280 lb.	4500 lb.	4800 lb.
Maximum Gross Weight	8,300 lb.	14,920 lb.	20,280 lb.	24,500 lb.	28,800 lb.

Truck mounts also available.



### OPTIONAL - ADVANCED HYDRAULIC SYSTEM

The precision of "electronics-over-hydraulics" can't be beat. Electronic sensors in the wheels send continuous signals to the hydraulic system. Applications are consistent and precise regardless of ground speed.



### SWAP-N-GO SPINNERS

Lanco Lime/Fertilizer Spinners are removable to allow you to use the machine as either a lime spreader or a fertilizer spreader. The machine can be run with no attachment to function as a grain cart!



### ATTENTION TO DETAIL

From the heavy gauge materials to the rack-and-pinion endgate, every Lanco Spreader has the kind of workmanship that farmers appreciate. It's all about the value.

STANDARD FEATURES	540	1150	1680	2000	2300
Heavy duty single axle	✓				
Walking beam suspension		✓	✓	✓	✓
11L-15 x 8-ply tires	✓	✓			
16.5L-16.1 x 10-ply tires			✓	✓	✓
Quick-latch spinner attachment	✓	✓	✓	✓	✓
12-volt apron on/off switch	✓	✓	✓	✓	✓
PTO hydraulic drive, self-contained hydraulic system	✓	✓	✓	✓	✓
Check valve coupler on spinners for free-wheel stopping	✓	✓	✓	✓	✓
Double 25-inch spinner disks, made from 1/4" plate, six blades per disk	✓	✓	✓	✓	✓
24" wide gate opening	✓	✓	✓	✓	✓
667X heavy duty pintle chain, w 3/8" thick slats	✓	✓	✓	✓	✓
Apron slats spaced every other link for smoother spread patterns	✓	✓	✓	✓	✓
Heavy duty no-rust, no-rot poly floor	✓	✓	✓	✓	✓
5,000 lb. capacity jack stand	✓	✓	✓		
7,000 lb. capacity jack stand			✓		
10,000 lb. capacity jack stand				✓	✓
<b>OPTIONS</b>					
Transport light package	✓	✓	✓	✓	✓
Walking beam suspension	✓				
Surge brake	✓	✓	✓	✓	✓
Rollover tarp	✓	✓	✓	✓	✓
Manual tarp	✓	✓	✓	✓	✓
Engine hydraulic unit	✓	✓	✓	✓	✓
Flotation tires (31-1350 x 15SL 8-ply)	✓	✓			
Flotation tires (19L-16.1 10-ply)			✓	✓	✓
Flotation tires (21.5L-16.1 10-ply)			✓	✓	✓
Used tires (4.25 x 65R-22.5)			✓	✓	✓
Conveyor attachment with 2-way discharge	✓	✓	✓	✓	✓
Auger attachment	✓	✓	✓	✓	✓
Raven variable rate control kit	✓	✓	✓	✓	✓
POC Rate Controller	✓	✓	✓	✓	✓

BETTER SPREADING MADE SIMPLE

717-556-4143

WWW.LANCOEQUIPMENT.COM

