

K-MODEL LITTER/LIME SPREADERS

LS-1150K
LS-1680K



FARMERS TALK, WE LISTEN



Smart design and heavy duty construction provide the perfect combination of durability, reliability and spreading precision.

The Lanco 1150K and 1680K models are the ideal solution for those who don't require the capacity our regular Litter models deliver.

The K series provide the same spread pattern and material compatibility as their larger capacity Litter/Lime counterparts with a smaller footprint. Their lighter weight means K series spreaders can be used in conjunction with smaller tractors, similar to the Lime models.

One look and you'll see the difference. Lanco Spreaders are what every farmer looks for. How do we know? We asked.

MADE IN LANCASTER COUNTY TO WORLD-CLASS STANDARDS

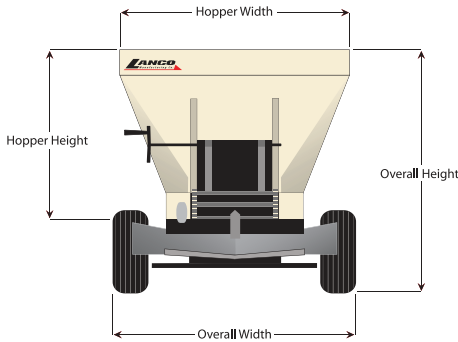
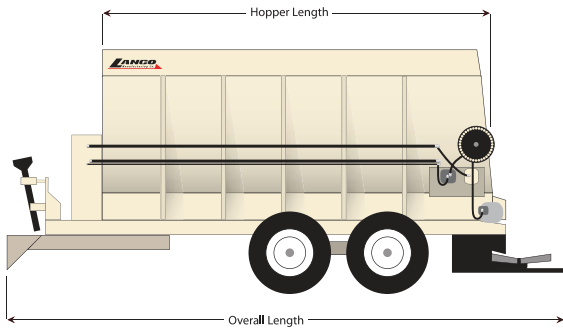
BETTER SPREADING MADE SIMPLE

717-556-4143

WWW.LANCOEQUIPMENT.COM

LANCO
Manufacturing, CO.

MORE HIGH QUALITY FEATURES COME STANDARD



Specifications	Model LS-1150K	Model LS-1680K
Hopper Height	3' 2"	3' 11"
Hopper Width	5'	6' 2"
Hopper Length	8'	12'
Hopper Capacity	160 cu. ft.	216 cu. ft.
Overall Height	6' 9"	7' 2"
Overall Width	7' 4"	7' 4"
Overall Length	15' 5"	18' 4"
Suspension	Walking Beam	Walking Beam
Wheel Track Width (Center to Center)	4' 6"	5' 7"
Empty Weight	2920 lb.	4200 lb.
Maximum Gross Weight	14,000 lb.	20,000 lb.

Truck mounts also available.



ADVANCED HYDRAULIC SYSTEM

The precision of "electronics-overhydraulics" can't be beat. Electronic sensors in the wheels send continuous signals to the hydraulic system. Applications are consistent and precise regardless of ground speed.



UNIQUE VERSATILITY BRINGS ADDED VALUE

Easy to remove spinner attachment provides the flexibility to use the machine as a spreader or grain cart.



WALKING BEAM SUSPENSION

Super-duty walking beam suspension helps absorb and distribute stress on the spreader when traveling rough terrain. This helps make operation easier and can add years to service life.

STANDARD FEATURES	1150K	1680K
11L-15 x 8-ply tires	✓	
16.5L-16.1 x 10-ply tires		✓
Quick-latch spinner attachment	✓	✓
Walking beam suspension	✓	✓
12-volt apron on/off switch	✓	✓
PTO hydraulic drive, self-contained hydraulic system	✓	✓
Check valve coupler on spinners for free-wheel stopping	✓	✓
Double 24-inch spinner disks, made from 1/4" plate, six 10" blades per disk	✓	✓
34" wide conveyor	✓	✓
667X heavy duty pintle chain, w 3/8" thick slats	✓	✓
Apron slats spaced every other link for smoother spread patterns	✓	✓
Heavy duty no-rust, no-rot poly floor	✓	✓
5,000 lb. capacity jack stand	✓	✓
OPTIONS		
Transport light package	✓	✓
Surge brake	✓	✓
Rollover tarp	✓	✓
Manual tarp	✓	✓
Engine hydraulic unit	✓	✓
Flotation tires (31-1350 x 15SL 8-ply)	✓	
Flotation tires (19L-16.1 10-ply)		✓
Flotation tires (21.5L-16.1 10-ply)		✓
Conveyor attachment with 2-way discharge	✓	✓
Auger attachment	✓	✓
Raven variable rate control kit	✓	✓
425 truck tires		✓

BETTER SPREADING MADE SIMPLE

717-556-4143

WWW.LANCOEQUIPMENT.COM

LANCO
Manufacturing, CO.